

1. CONTENT AND TEXTIL GRAPH

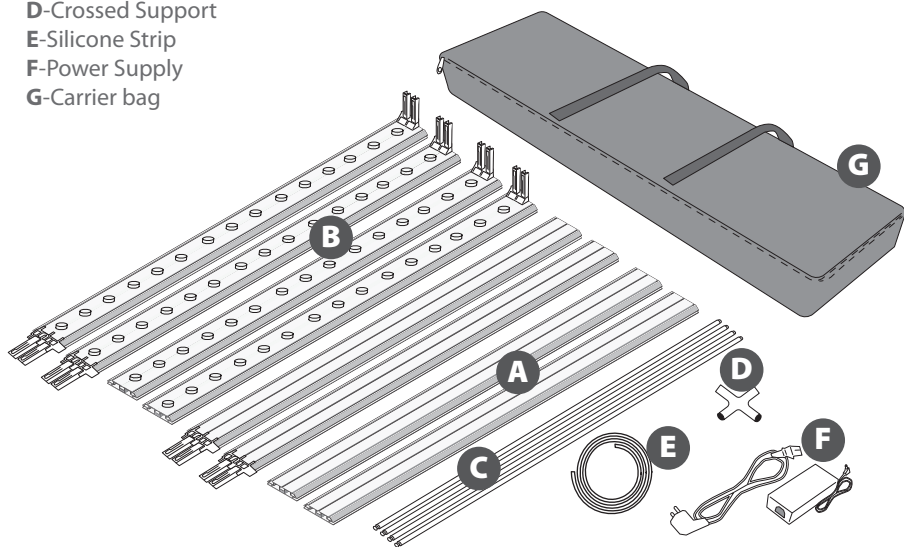


CONTENT

Open the carrier bag of **Texfix**, check the content and remove carefully all the parts included . For a proper assembly, follow the numerical order indicated on each profile, ensuring a precise and trouble-free installation. Finally, put the silicone strip of the textile graphic into the perimeter slot of the Texfix profile.

First, prepare your design with **22mm of perimeter surplus**. Pay attention that the Logos and the information of your design are **not located in this surplus**. After textile printing, sew the silicone strip all around its entire perimeter.

- A**-Straight connector
- B**-Corner connectors
- C**-Aluminium and steel reinforcements
- D**-Crossed Support
- E**-Silicone Strip
- F**-Power Supply
- G**-Carrier bag



For those cases in which the graphic is **supplied by the client**, we recommend making use of the materials listed in the following **QR code** (scan for downloading Excel file). Please contact us or visit www.cashdisplay.com for more information.



2. SET UP THE STRUCTURE

