

1. CONTENT AND TEXTIL GRAPH

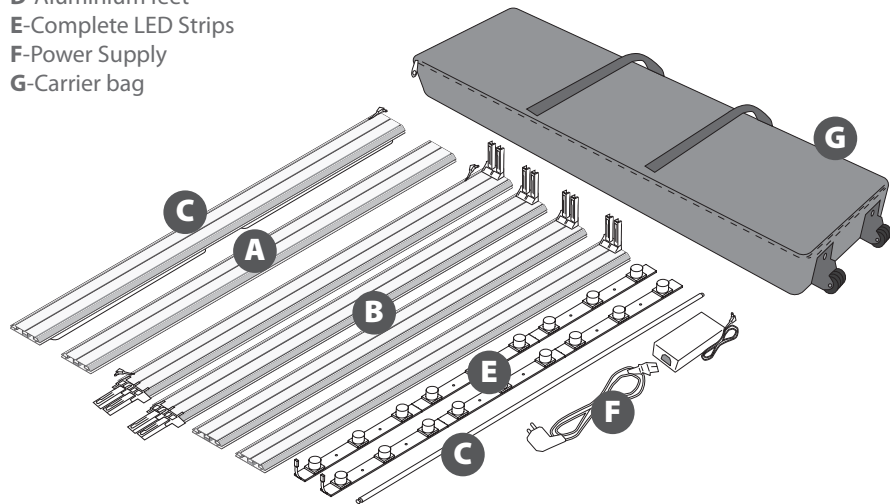


CONTENT

Open the carrier bag of **Texfix**, check the content and remove carefully all the parts included . Before mounting the frame, you have to attach both LED lights to the profile as well as other accessories. Finally, put the silicone strip of the textile graphic into the perimeter slot of the Texfix profile.

First, prepare your design with **22mm of perimeter surplus**. Pay attention that the Logos and the information of your design are **not located in this surplus**. After textile printing, sew the silicone strip all around its entire perimeter.

- A**-Straight connector
- B**-Corner connectors
- C**-Aluminium and steel reinforcements
- D**-Aluminium feet
- E**-Complete LED Strips
- F**-Power Supply
- G**-Carrier bag



For those cases in which the graphic is **supplied by the client**, we recommend making use of the materials listed in the following **QR code** (scan for downloading Excel file). Please contact us or visit www.cashdisplay.com for more information.



2. SET UP THE STRUCTURE

